

# 2512OF Offset Square Entrance Pull Handles



## Advantages at a glance

- 316 Marine Grade Stainless Steel
- Designed with your project's needs in mind
- High durability with concealed fixings
- Standard finishes: SSS and PSS
- Powdercoat and custom finishes available on request



AS1428 Compliant

dormakaba's Offset Square Entrance Pull Handles crafted with precision and excellence in mind, these handles are designed to elevate your space with their superior quality and attention to detail.

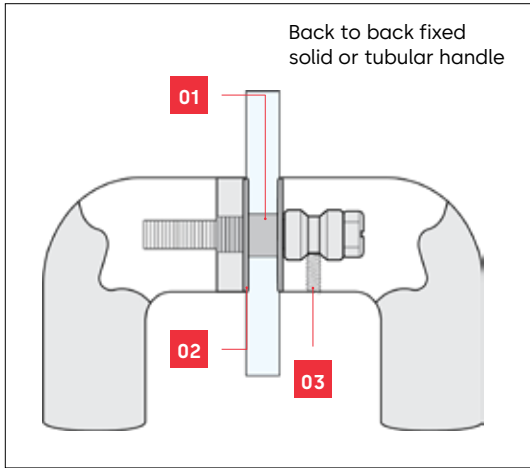
Made from premium 316 Marine Grade Stainless Steel, these handles are built to withstand the test of time, offering unmatched corrosion resistance for both indoor and outdoor use, even in high traffic areas. The offset square section design ensures effortless functionality, providing comfortable grip and ease of use.

Ideal for a variety of settings, from residential to commercial, these handles are versatile enough to be installed on glass, timber, and aluminium doors. Elevate your entrances with dormakaba's Offset Square Entrance Pull Handles and experience genuine quality that stands out in any space.

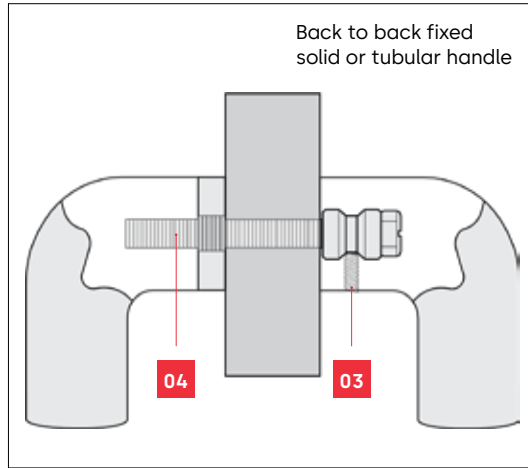
## Refer to ordering details for a range of optional accessories to suit:

- Back to back extended fixing for timber doors
- Back to back fixing for glass doors
- Disc fixing for timber doors
- Disc fixing for glass doors

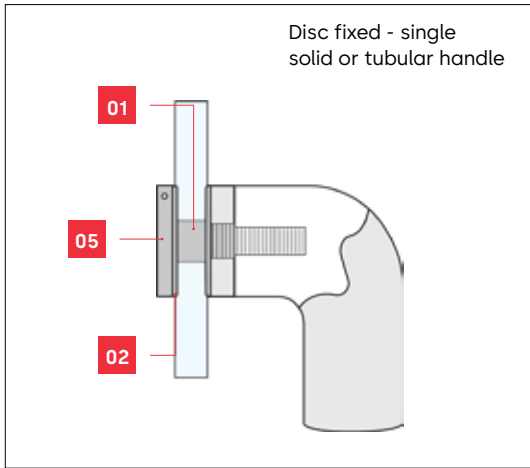
# Fixing options



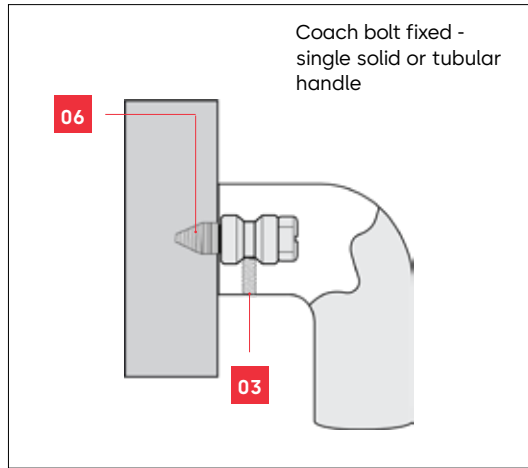
**GD FIX** - glass doors



**TM FIX** - timber or metal doors



**D FIX** - glass, metal or timber doors



**C FIX** - timber doors only

## TIMBER DOOR FIXING

Material Size	Bolt Size
14mm Ø	5mm
16mm Ø	5mm
19mm Ø	8mm
25mm Ø	8mm
32mm Ø	8mm

## METAL DOOR FIXING

Material Size	Bolt Size
14mm Ø	5mm
16mm Ø	5mm
19mm Ø	8mm
25mm Ø	8mm
32mm Ø	8mm

## GLASS DOOR FIXING

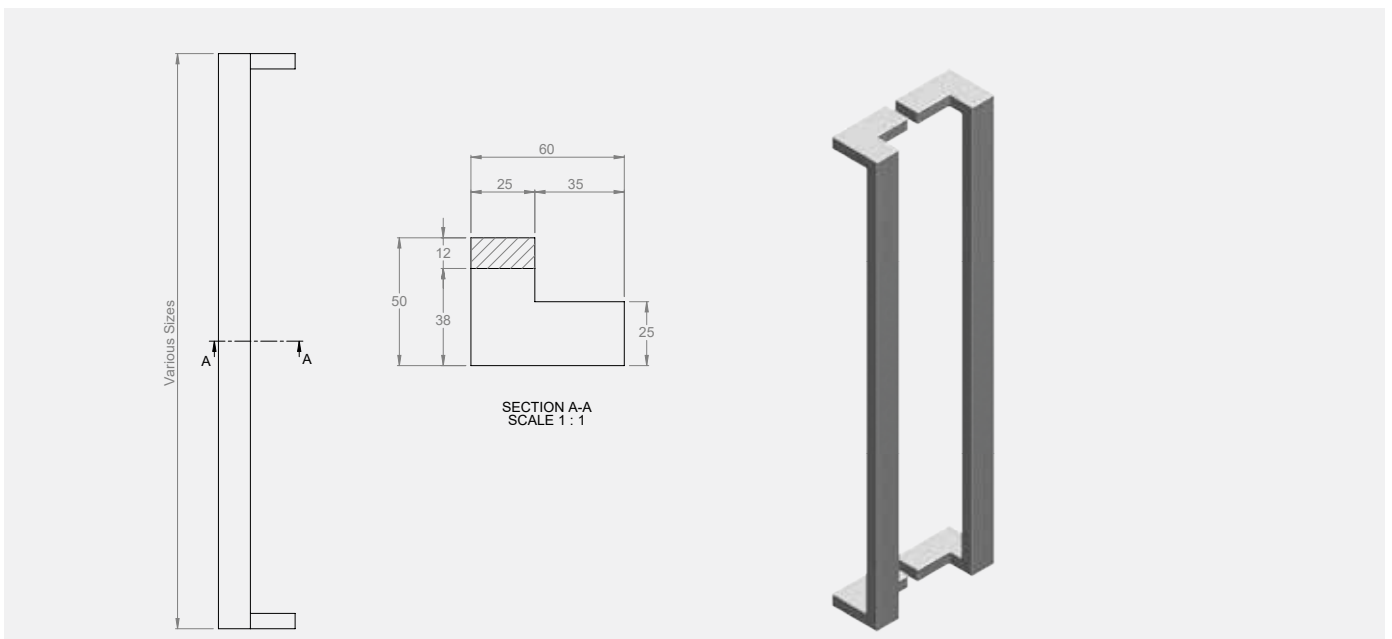
Material Size	Bolt Size
14mm Ø	12mm Ø
16mm Ø	12mm Ø
19mm Ø	12mm Ø
25mm Ø	12mm Ø
32mm Ø	12mm Ø

### Note

Nylon spacers and washers are included with handle for glass door fixing option.

### Legend

- 01 Spacer
- 02 Washer
- 03 Grub Screw
- 04 Bolt
- 05 Disc
- 06 Coach Bolt



# Ordering details

Item	Article Number	Description	Offset	Section	Length	Fixing Centers	Projection
<b>BACK TO BACK FIXING</b>							
B25 12OF/200/SF	9400000016422	B25 12OF/200/ 25X12 OA 2 12 CTC 200 SF	50mm	25mm x 12mm	212mm	200mm	50mm
B25 12OF/200/PSS	9457512184122	B25 12OF/200/ 25X12 OA 2 12 CTC 200 PSS	50mm	25mm x 12mm	212mm	200mm	50mm
B25 12OF/200/SSS	9457512184121	B25 12OF/200/25X12 OA 2 12 CTC 200 SSS	50mm	25mm x 12mm	212mm	200mm	50mm
B25 12OF/300/SF	9400000016423	B25 12OF/300/ 25X12 OA 3 12 CTC 300 SF	50mm	25mm x 12mm	312mm	300mm	60mm
B25 12OF/300/PSS	9457512844122	B25 12OF/300/ 25X12 OA 3 12 CTC 300 PSS	50mm	25mm x 12mm	312mm	300mm	60mm
B25 12OF/300/SSS	9457512844121	B25 12OF/300/25X12 OA 3 12 CTC 300 SSS	50mm	25mm x 12mm	312mm	300mm	60mm
B25 12OF/450/SF	9400000016424	B25 12OF/450/ 25X12 OA 4 62 CTC 450 SF	50mm	25mm x 12mm	462mm	450mm	60mm
B25 12OF/450/PSS	9457513954122	B25 12OF/450/ 25X12 OA 4 62 CTC 450 PSS	50mm	25mm x 12mm	462mm	450mm	60mm
B25 12OF/450/SSS	9457513954121	B25 12OF/450/25X12 OA 4 62 CTC 450 SSS	50mm	25mm x 12mm	462mm	450mm	60mm
B25 12OF/600/SF	9400000016425	B25 12OF/600/ 25X12 OA 6 12 CTC 600 SF	50mm	25mm x 12mm	612mm	600mm	60mm
B25 12OF/600/PSS	9457514734122	B25 12OF/600/ 25X12 OA 6 12 CTC 600 PSS	50mm	25mm x 12mm	612mm	600mm	60mm
B25 12OF/600/SSS	9457514734121	B25 12OF/600/25X12 OA 6 12 CTC 600 SSS	50mm	25mm x 12mm	612mm	600mm	60mm

## ACCESSORIES - EXTENDED FIXINGS - sold as a pair

TM/M5/40	9459405045200	M5/50 BOLT & 9MM FERULE TM FIX	<p><b>Note: When ordering extended fixings please use the below formula.</b></p> <p>Door thickness + 20mm for the Ferule + 10mm in to the other handle = round up to the nearest size offered.</p> <ul style="list-style-type: none"> <li>• For single sided internal fixing, a disc fixing kit is required.</li> <li>• For concealed single sided fixing on timber, a concealed fixing kit is required.</li> </ul>
TM/M5/75	9459705075200	M5/75 FERULE HEAD BOLT TM FIX	
TM/M5/100	9459505055200	M5/100 BOLT & 9MM FERULE TM FIX	

## ACCESSORIES - GLASS FIXINGS - sold as a pair

GF12X25/M5/50 REC	9459501288302	25 X 12 REC GLASS FIXING PAIR
-------------------	---------------	-------------------------------

## ACCESSORIES - DISC FIX & CONCEALED FIXING KITS

	9400000016706	DISK FIX KIT 25MM SF
	9400000016707	DISK FIX KIT 32MM SF
	9400000016703	DISK FIX KIT 25MM
	9400000016704	DISK FIX KIT 32MM
	9400000016705	CONCEALED FIXING KIT

Any questions? We would be happy to advise you.